

Product family datasheet

LED HIGH-BAY / TL-HR18-60

Related products



- Not dimmable
- Lifetime: up to 40,000 h
- Mercury free lamp

Product benefits

- The housing using aluminum alloy material
- Good mechanical design and heat dissipation
- The secondary light distribution with a reasonable
- Constant current control circuit
- High light efficiency, wide light distribution and high CRI
- Long life, low lose and environmental protection; The LED light source can last at least 40,000 hours
- Fixible to use
- Accord with the requirements of RoHS

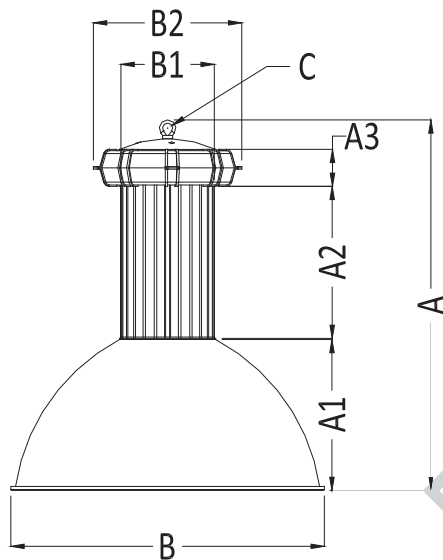
Application

- Factories, mines and other large places lighting.

Product family datasheet

LED HIGH-BAY / TL-HR18-60

Dimensional drawing



A	663
A1	230
A2	260
A3	110
B	462
B1	150
B2	230
C	15

Unit: mm

General Characteristics

Code	TL-HR18-60
Type of installation	Suspension
Body material	Aluminum
Chip	LED*60
Nominal lamp life time	40000 h
Rated starting time	1.0 s
Dimmable	No
Drive type	Power Box

Product family datasheet

LED HIGH-BAY / TL-HR18-60

Light Technical and Electrical Characteristics

Code	TL-HR18-60	TL-HR18-60	TL-HR18-60
Nominal wattage	80 W	80 W	80 W
Nominal voltage	AC 100...240V	AC 100...240V	AC 100...240V
Nominal luminous flux	4600 lm	5200 lm	5200 lm
Nominal luminous efficiency	58 lm/W	65 lm/W	65 lm/W
Rated color temperature	3000 K	5000 K	6500 K
Rated color rendering index Ra	85	80	80

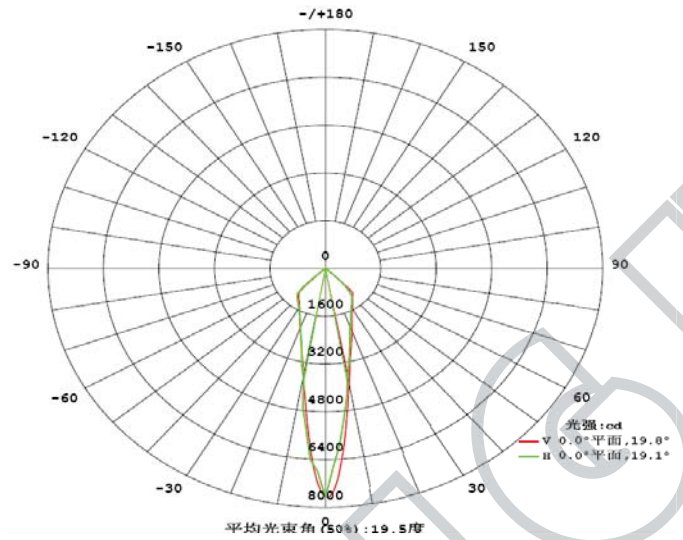
Temperature Characteristics

	Min.	Typ.	Max.
T-case maximum			60 °C
T-ambient		25 °C	
Operating temperature	-30 °C		30 °C
T-Storage	-40 °C		65 °C

Product family datasheet

LED HIGH-BAY / TL-HR18-60

Light technical (1)



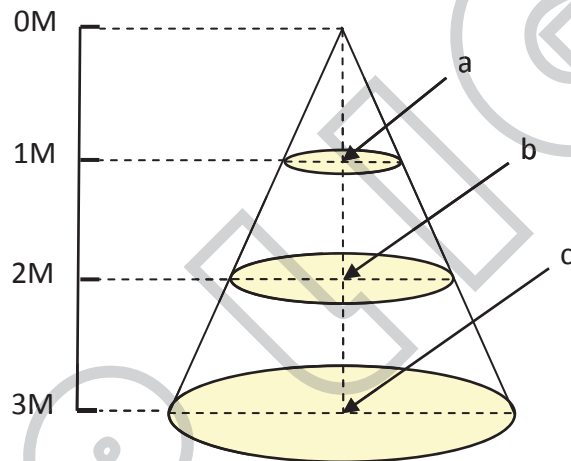
Emitting angle **70°**

Product family datasheet

LED HIGH-BAY / TL-HR18-60

Light technical (2)

Code	Center illumination (lux)		
	a	b	c
TL-HR18-60	2134	522	226
	2372	581	252
	2372	581	252



Product family datasheet

LED HIGH-BAY / TL-HR18-60

Note

- 1、 Please carefully read the product specifications, confirm the use of the environment in line with the specifications on the conditions before they are used.
- 2、 Products access to power, please ensure that the switch is closed, to prevent electric shock.
- 3、 Before use, make sure of a suitable power.
- 4、 Turn on the lamps, hand do not touch lamp surface.
- 5、 This product is limited to indoor use, pay attention for waterproof in outdoor.
- 6、 Illegal operation may damage your belongings, and even endanger your personal safety.
- 7、 To avoid sources of heat and hot steam, corrosive gas, so as not to affect the life span.
- 8、 The high voltage (110V/220V) power lamps should not work in the frequent-off state which will affect their life.



Specifications are subject to change without notice. Trademarks are the property of Toplight International LLC or their respective owners.

www.toplightusa.com