

Product family datasheet LED BULB / TL-BE27-5

Related products



- Not dimmable
- Available with E27 screw base
- Lifetime: up to 40,000 h
- Mercury free lamp

Product benefits

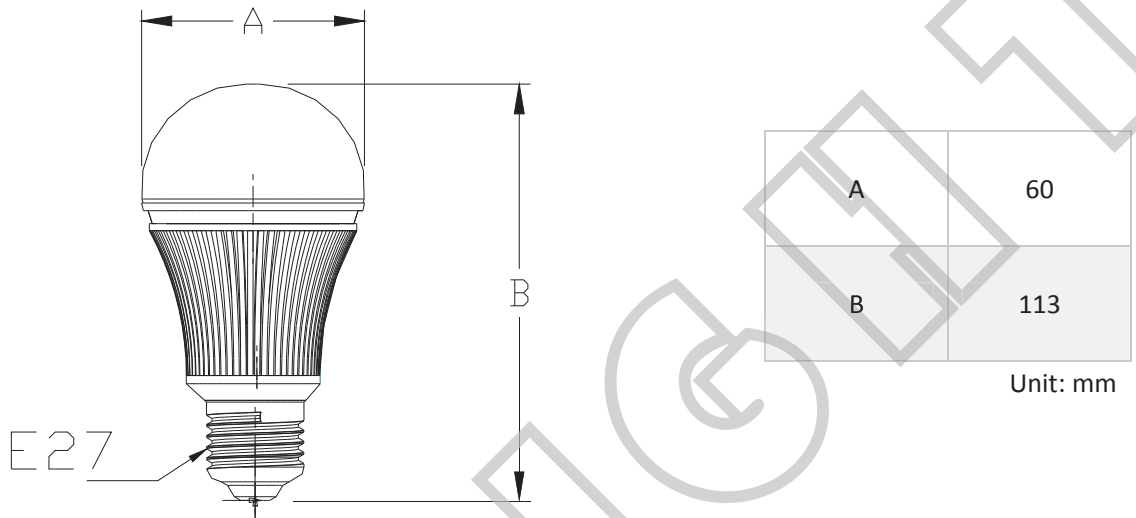
- The housing using aluminum alloy material
- Good mechanical design and heat dissipation
- No UV and near-IR radiation in the light beam
- Instant 100 % light, no warm-up time
- Soft lighting, high color rendering index
- Accord with the requirements of RoHS

Application

- The light source of desk lamp, pendant lamp, ceiling lamp and downlight
- The light source of hallway lamp, showcase lighting

Product family datasheet LED BULB / TL-BE27-5

Dimensional drawing



General Characteristics

Code	TL-BE27-5
Base (standard designation)	E27
Nominal lamp life time	40000 h
Rated starting time	1.0 s
Dimmable	No
Mercury-free	Yes

Product family datasheet LED BULB / TL-BE27-5

Light Technical and Electrical Characteristics

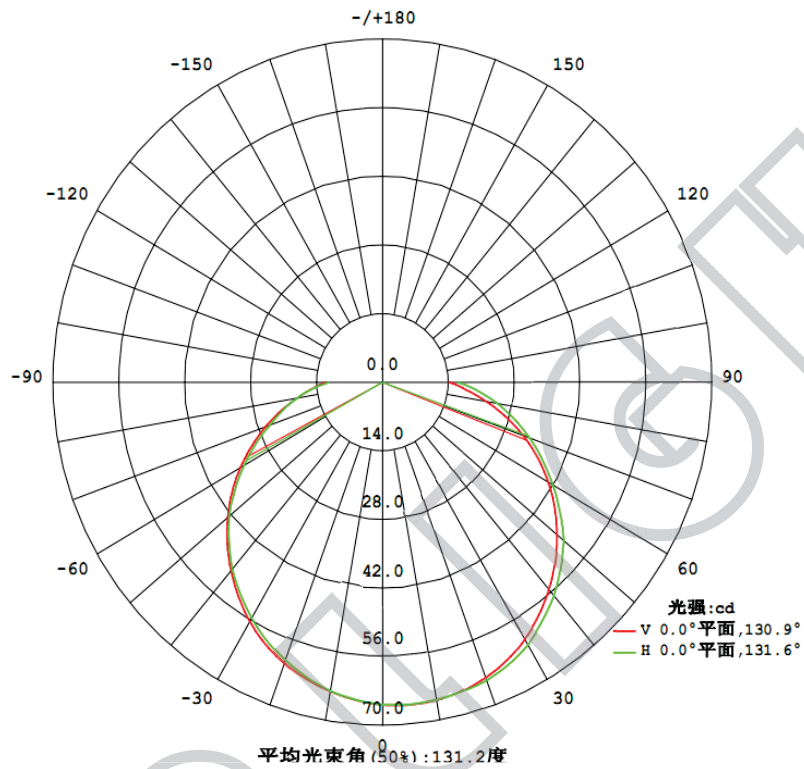
Code	TL-BE27-5		
Nominal wattage	6 ± 1.5 W	6 ± 1.5 W	6 ± 1.5 W
Nominal voltage	AC 220...240V	AC 220...240V	AC 220...240V
Claimed equiv. conventional lamp power	40 W	40 W	40 W
Nominal luminous flux	300 lm	400 lm	400 lm
Rated color temperature	3000 K	5000 K	6500 K
Rated color rendering index Ra	80	80	80

Temperature Characteristics

	Min.	Typ.	Max.
T-case maximum			60 °C
T-ambient		25 °C	
Operating temperature	-30 °C		30 °C
T-Storage	-40 °C		65 °C

Product family datasheet LED BULB / TL-BE27-5

Light technical (1)

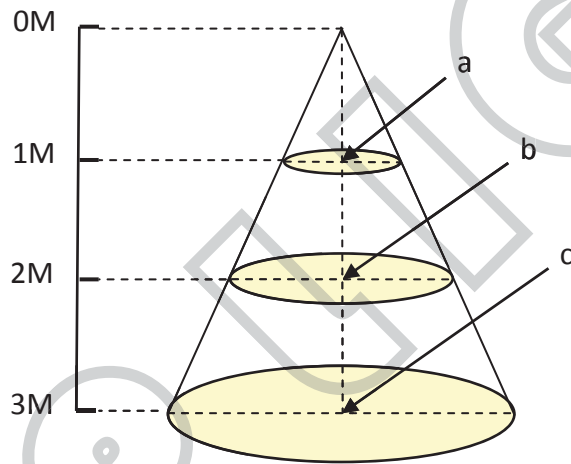


Emitting angle **130°**

Product family datasheet
LED BULB / TL-BE27-5

Light technical (2)

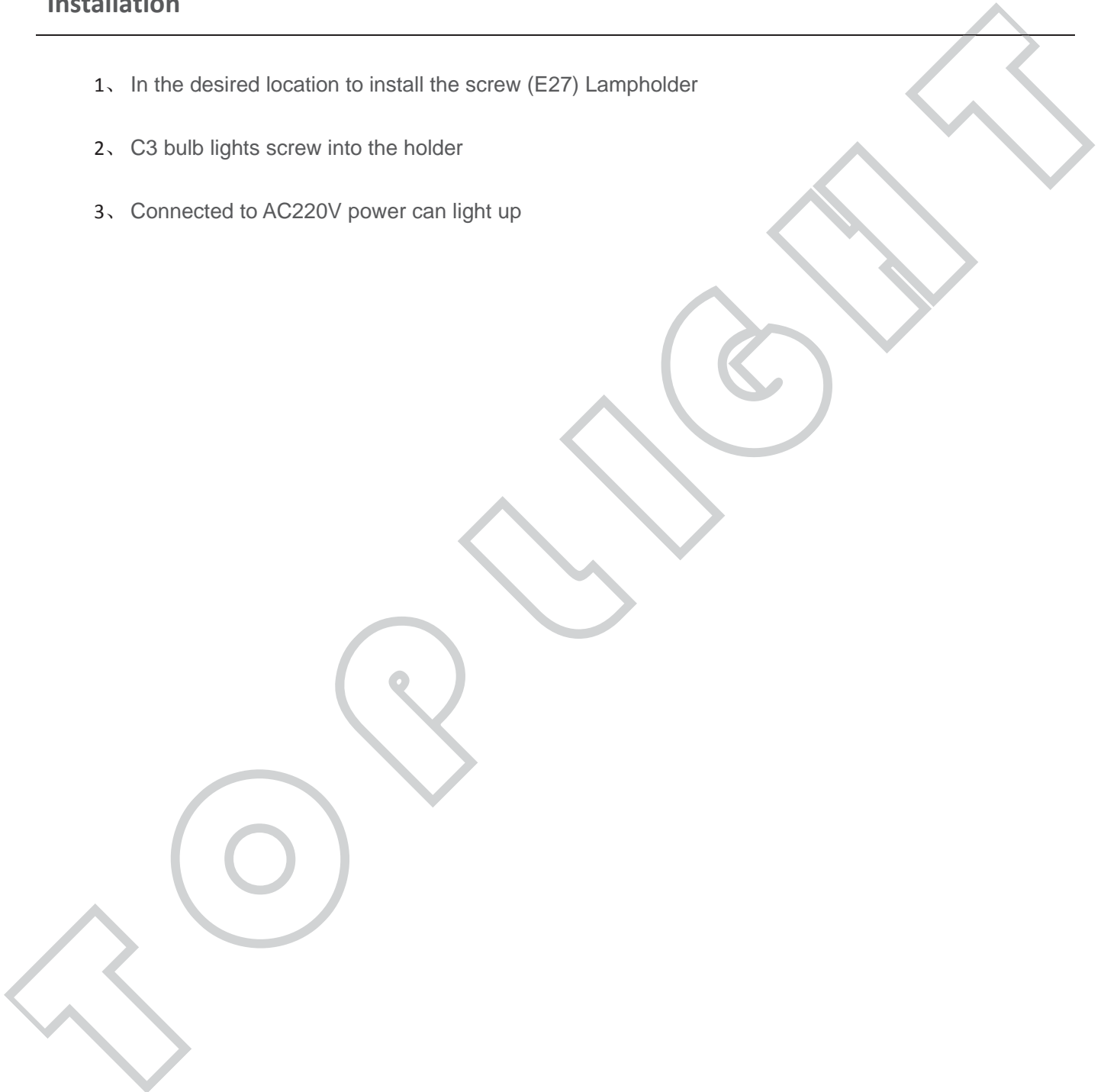
Code	Center illumination (lux)		
	a	b	c
TL-BE27-5	31	13	4
	35	15	4
	40	17	5



Product family datasheet LED BULB / TL-BE27-5

Installation

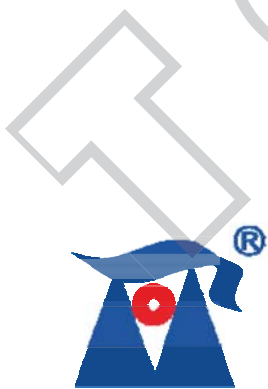
- 1、 In the desired location to install the screw (E27) Lampholder
- 2、 C3 bulb lights screw into the holder
- 3、 Connected to AC220V power can light up



Product family datasheet LED BULB / TL-BE27-5

Note

- 1、 Please carefully read the product specifications, confirm the use of the environment in line with the specifications on the conditions before they are used.
- 2、 Products access to power, please ensure that the switch is closed, to prevent electric shock.
- 3、 Before use, make sure of a suitable power.
- 4、 Turn on the lamps, hand do not touch lamp surface.
- 5、 This product is limited to indoor use, pay attention for waterproof in outdoor.
- 6、 Illegal operation may damage your belongings, and even endanger your personal safety.
- 7、 To avoid sources of heat and hot steam, corrosive gas, so as not to affect the life span.
- 8、 The high voltage (110V/220V) power lamps should not work in the frequent-off state which will affect their life.



Specifications are subject to change without notice. Trademarks are the property of Toplight International LLC or their respective owners.

www.toplightusa.com